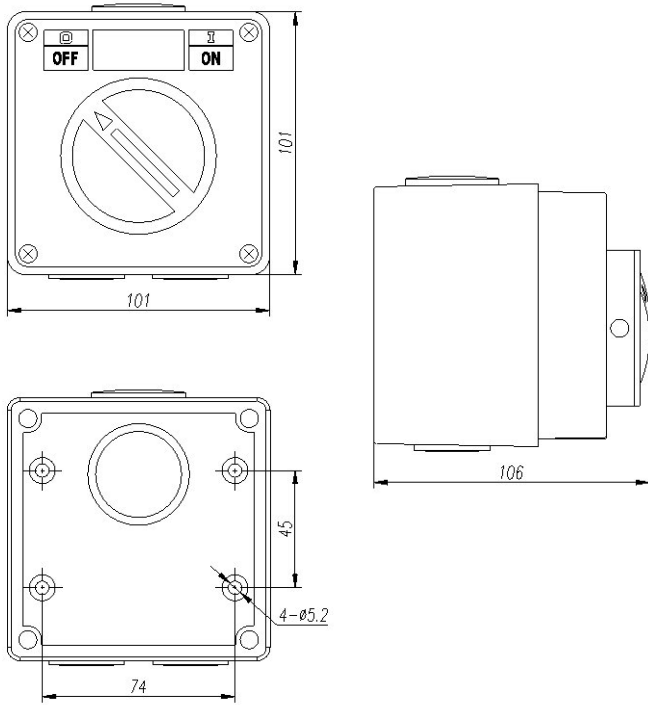


## Surface Switches



PART NO.	DESCRIPTION	VOLTS	POLES	AMPS	IP	UOM	Pk Qty	Ctn Qty
S3P20C/O	Change Over Switch	500V	3 Pole	20Amp	IP66	Ea	1	30
SP320F/R	FWD / RVS Switch	500V	3 Pole	20Amp	IP66	Ea	1	30
S2P10	Surface Switch	500V	2 Pole	10Amp	IP66	Ea	1	30
S2P20	Surface Switch	500V	2 Pole	20Amp	IP66	Ea	1	30
S3P20	Surface Switch	500V	3 Pole	20Amp	IP66	Ea	1	30
S3P32	Surface Switch	500V	3 Pole	32Amp	IP66	Ea	1	30
S3P40	Surface Switch	500V	3 Pole	40Amp	IP66	Ea	1	30
S3P50	Surface Switch	500V	3 Pole	50Amp	IP66	Ea	1	30
S3P63	Surface Switch	500V	3 Pole	63Amp	IP66	Ea	1	30