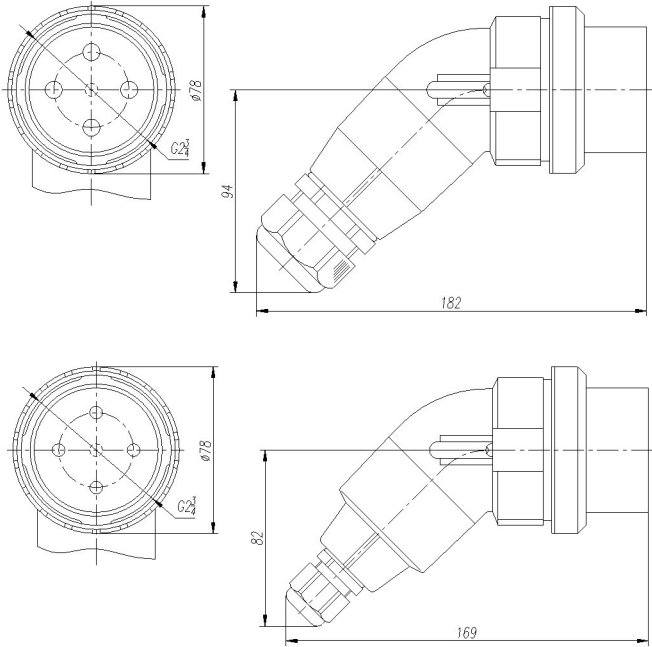


Plugs - *Angled*



PART NO.	DESCRIPTION	VOLTS	PINS	AMPS	IP	CABLE SIZE	UOM	PK QTY	CTN QTY
PLA3PH410	Plug Top Angled	500V	4 Pin Round	10Amp	IP66	4.0mm SQ	Ea	1	36
PLA3PH420	Plug Top Angled	500V	4 Pin Round	20Amp	IP66	4.0mm SQ	Ea	1	36
PLA3PH432	Plug Top Angled	500V	4 Pin Round	32Amp	IP66	6.0mm SQ	Ea	1	36
PLA3PH510	Plug Top Angled	500V	5 Pin Round	10Amp	IP66	4.0mm SQ	Ea	1	36
PLA3PH520	Plug Top Angled	500V	5 Pin Round	20Amp	IP66	4.0mm SQ	Ea	1	36
PLA3PH532	Plug Top Angled	500V	5 Pin Round	32Amp	IP66	6.0mm SQ	Ea	1	36