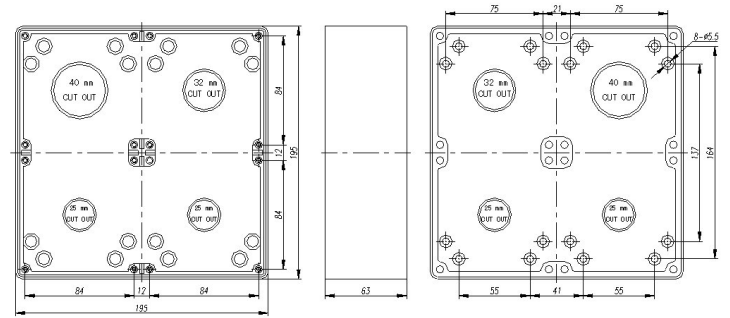
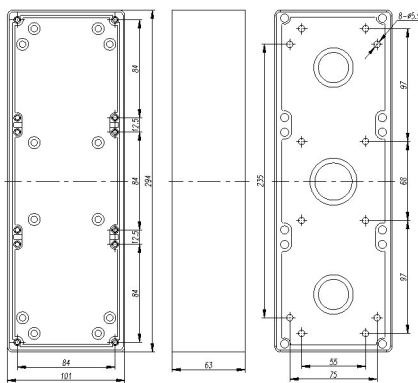


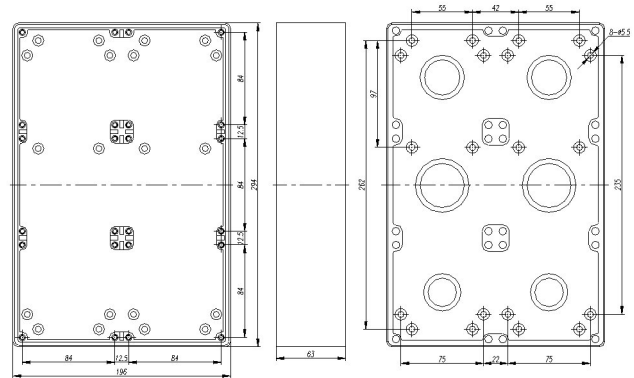
G2E



G4E



G3E



G6E

*9 and 12 Gang Also Available*

## KEY FEATURES

- All GWR plastics are PCA18 virgin grade (No regrind).
- All brass internal components are greater than 85% copper (less heat rise component due to high copper content).
- All GWR products have an Australian/NZ Approval Certificates or Australian/NZ Compliance Certificates.
- All GWR products are interchangeable with other major brands.
- All GWR products have batch coding for QA tracking.
- All GWR plug tops have compression glands for quick cable termination.
- All GWR switch sockets have mounting templates for fast and easy installation.
- Using GWR product will ensure the electrical contractors can work with greater margin when quoting against similar electrical products in the market.
- 12 months replacement warranty on all products.