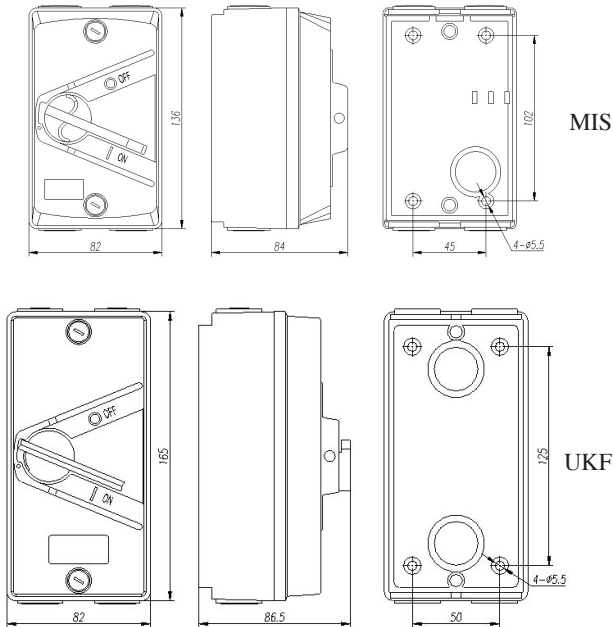


Surface Mount & Mini Isolators



PART NO.	DESCRIPTION	VOLTS	POLES	AMPS	IP	M RATING	UOM	Pk Qty	Ctn Qty
UKF1-20	Isolator Switch	500V	1 Pole	20Amp	IP66	M100	Ea	1	36
UKF1-35	Isolator Switch	500V	1 Pole	35Amp	IP66	M100	Ea	1	36
UKF1-63	Isolator Switch	500V	1 Pole	63Amp	IP66	M100	Ea	1	36
UKF3-20	Isolator Switch	500V	3 Pole	20Amp	IP66	M100	Ea	1	36
UKF3-35	Isolator Switch	500V	3 Pole	35Amp	IP66	M100	Ea	1	36
UKF3-63	Isolator Switch	500V	3 Pole	63Amp	IP66	M100	Ea	1	36
UKF4-20	Isolator Switch	500V	4 Pole	20Amp	IP66	M100	Ea	1	36
UKF4-35	Isolator Switch	500V	4 Pole	35Amp	IP66	M100	Ea	1	36
UKF4-63	Isolator Switch	500V	4 Pole	63Amp	IP66	M100	Ea	1	36

PART NO.	DESCRIPTION	VOLTS	POLES	AMPS	IP	M RATING	UOM	Pk Qty	Ctn Qty
MIS1-20	Isolator Switch Mini	500V	1 Pole	20Amp	IP66	M100	Ea	1	36
MIS1-35	Isolator Switch Mini	500V	1 Pole	35Amp	IP66	M100	Ea	1	36
MIS3-20	Isolator Switch Mini	500V	3 Pole	20Amp	IP66	M100	Ea	1	36
MIS3-35	Isolator Switch Mini	500V	3 Pole	35Amp	IP66	M100	Ea	1	36