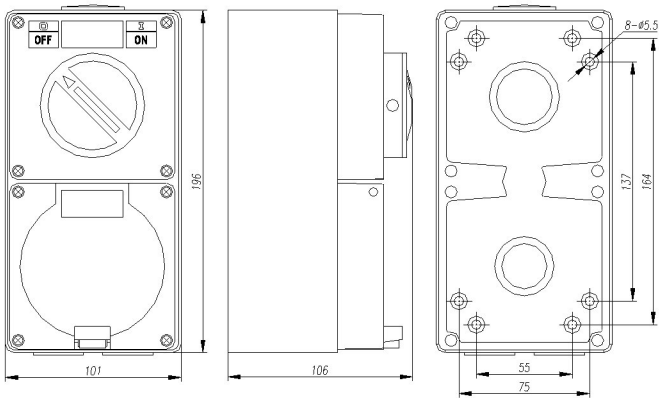


## Surface Mount Combinations - *Switched*



PART NO.	DESCRIPTION	VOLTS	PINS	AMPS	IP	UOM	Pk Qty	Ctn Qty
CO1PH10	Switched Socket Outlet	250V	3 Pin Flat	10Amp	IP66	Ea	1	30
CO1PH15	Switched Socket Outlet	250V	3 Pin Flat	15Amp	IP66	Ea	1	30
CO1PHR320	Switched Socket Outlet	500V	3 Pin Round	20Amp	IP66	Ea	1	20
CO3PH410	Switched Socket Outlet	500V	4 Pin Round	10Amp	IP66	Ea	1	20
CO3PH420	Switched Socket Outlet	500V	4 Pin Round	20Amp	IP66	Ea	1	20
CO3PH432	Switched Socket Outlet	500V	4 Pin Round	32Amp	IP66	Ea	1	20
CO3PH440	Switched Socket Outlet	500V	4 Pin Round	40Amp	IP66	Ea	1	20
CO3PH450	Switched Socket Outlet	500V	4 Pin Round	50Amp	IP66	Ea	1	20
CO3PH510	Switched Socket Outlet	500V	5 Pin Round	10Amp	IP66	Ea	1	20
CO3PH520	Switched Socket Outlet	500V	5 Pin Round	20Amp	IP66	Ea	1	20
CO3PH532	Switched Socket Outlet	500V	5 Pin Round	32Amp	IP66	Ea	1	20
CO3PH540	Switched Socket Outlet	500V	5 Pin Round	40Amp	IP66	Ea	1	20
CO3PH550	Switched Socket Outlet	500V	5 Pin Round	50Amp	IP66	Ea	1	20